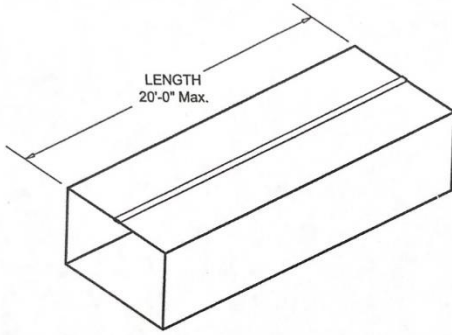


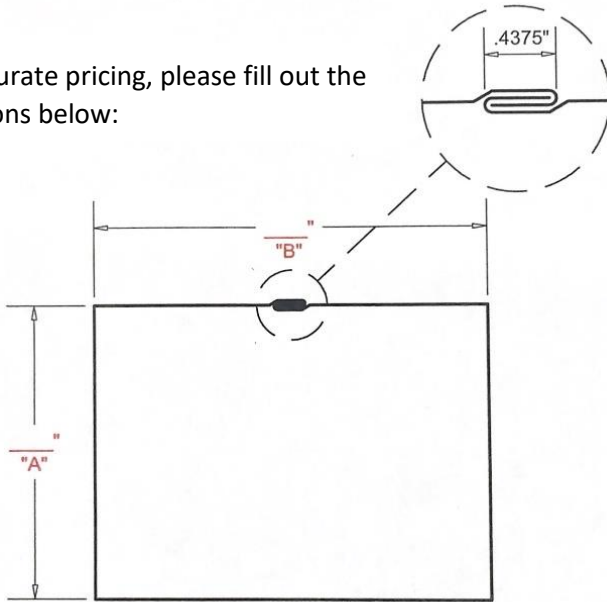
BOX DOWNSPOUT AND ACCESSORIES

BOX DOWNSPOUT

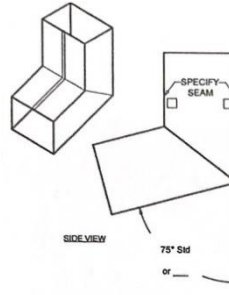


DOWNSPOUT SIZE*

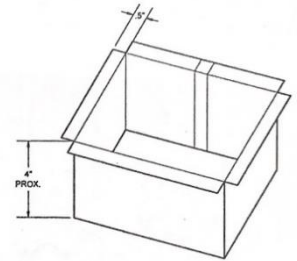
*For accurate pricing, please fill out the dimensions below:



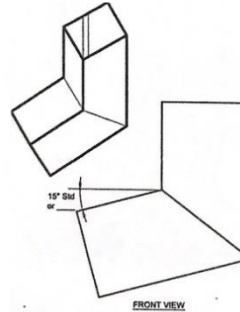
A STYLE ELBOW



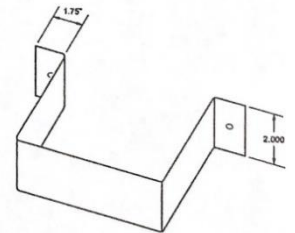
OUTLET TUBES



B STYLE ELBOW



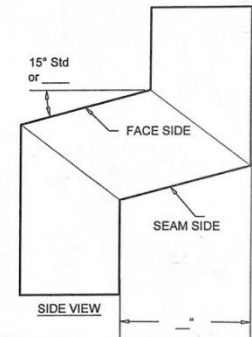
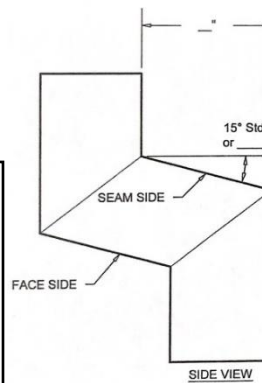
DOWNSPOUT STRAPS



ONE-PIECE OFFSETS

"UP" STYLE (EAVE)

"DOWN" STYLE (LEDGE)



MATERIAL:

- ___ 22GA STEEL
- ___ 24GA STEEL
- ___ 26GA STEEL (LIMITED COLOR AVAILABILITY)

- ___ 22GA STAINLESS STEEL
- ___ 24GA STAINLESS STEEL
- ___ 26GA STAINLESS STEEL

- ___ .032 ALUMINUM
- ___ .040 ALUMINUM
- ___ .050 ALUMINUM
- ___ .063 ALUMINUM

- ___ 16 OZ COPPER
- ___ 20 OZ COPPER

COLOR: _____

QUANTITIES:

___ TOTAL FEET OF DOWNSPOUT ___ REQUESTED LENGTH PER PIECE

___ OUTLET TUBES

___ ELBOWS (STD. 75°)

STYLE A: ___ STYLE B: ___

___ ELBOWS (CUTSOM DEGREE) ___°

STYLE A: ___ STYLE B: ___

___ ONE-PIECE OFFSETS ___" OFFSET AMOUNT

STYLE A: ___ EAVE LEDGE STYLE B: ___

___ STRAPS (STANDARD =2 PER 10' DOWNSPOUT)

PRINT APPROVED BY:

X

SIGNATURE

DATE

A SIGNED PRINT APPROVAL SIGNIFIES A CUSTOMER HAS VERIFIED ALL DIMENSIONS, SIZES, QUANTITIES, AND MATERIAL TYPES. FABRICATION WILL PROCEED ONLY AFTER RECEIPT OF SIGNED PRINT APPROVAL.

PROJECT INFORMATION

(PROJECT NAME)

(ARCHITECT)

(CUSTOMER)

(REPRESENTATIVE/DISTRIBUTOR)



Paul Matlock
(636) 575-3892
(636) 234-5344
 2290 Country Club Estates Dr.
 Pacific, MO 63069